



July 7, 2014

BROWN-WILBERT INCORPORATED  
BROWN PRECAST  
CONNER BROWN  
2280 N. HAMLINE AVENUE  
ROSEVILLE MN 55113

Re: Description: SEWAGE TANKS, CONCRETE  
Manufacturer: BROWN-WILBERT INCORPORATED  
Product Name: SEPTIC, HOLDING, PUMP OR SIPHON  
Model Number(s): 1000ST, 1000ST-L, 1000ST-R, 1000PT, 1000PT-L AND 1000PT-R  
(43.25 IN. L.L., 23.14 GAL/IN., 96 IN. MAX. DEPTH OF BURY, 479 G.P.D. WHEN USED  
AS A SEPTIC TANK BASED ON A 3 YR. SERVICE INTERVAL FOR RESIDENTIAL  
WASTEWATER; TANK DIMENSIONS (OD) = 98 IN. L X 68 IN. W X 61.25 IN. H)  
Product File No: 20140127

The specifications and/or plans for this plumbing product have been reviewed and determined to be in compliance with chapters SPS 382 through 384, Wisconsin Administrative Code, and Chapters 145 and 160, Wisconsin Statutes.

The Department hereby issues an approval based on the Wisconsin Statutes and the Wisconsin Administrative Code. **This approval is valid until the end of July 2019.**

This approval is contingent upon compliance with the following stipulation(s):

- This tank must be designed to withstand the pressures to which it will be subjected.
- The manufacturer must keep at the manufacturing plant a set of plans and specifications bearing the department's stamp of approval. The plans and specifications must be open to inspection by an authorized representative of the department.
- When this product receives wastewater from dwellings and is used as a septic tank, it will produce an effluent quality with a maximum monthly average value for BOD5 greater than 30 mg/L but less than or equal to 220 mg/L, TSS greater than 30 mg/L but less than or equal to 150 mg/L and F.O.G. less than or equal to 30 mg/L.
- This product is approved to use the following:
  - Four or six-inch inlet and outlet openings.
  - Side pipe openings for siphon, pump and holding tanks.
  - Dual four-inch inlets and/or outlets.
  - Four-inch discharge opening in riser.
  - Two or three-inch Schedule 40 PVC cast in riser for electrical wiring.
  - Plastic access risers manufactured by IPEX, JM Eagle, or Prinsco.
  - Osseo Plastic and Supply, Inc. baffles.
- BEDDING: Proper use of bedding materials is important to ensure service like of the tank structure. Bedding must be capable of bearing the weight of the tank. Bedding material shall have the ability of 100% to be able to pass through a 3/4-inch screen. Bedding thickness shall be 4 inch minimum compacted (thickness may vary with existing conditions).

- **BACKFILL:** Sidewalls of tanks require dry backfill materials that have the ability of 100% to be able to pass through a 2-inch screen and have a minimum of 12 inches on all sides from bottom to top of tank. Backfill material shall be placed in a manner to avoid impact loads on the sidewall of the tank.

The department is in no way endorsing this product or any advertising, and is not responsible for any situation which may result from its use.

Sincerely,



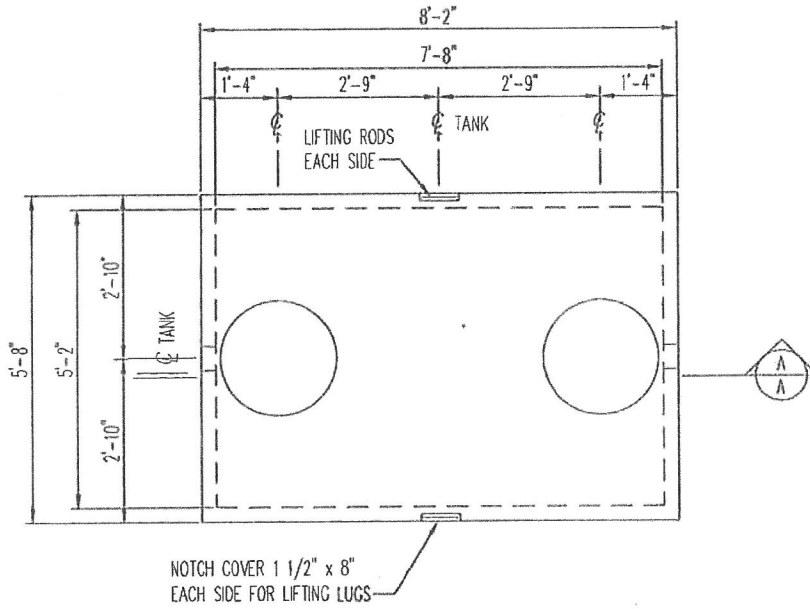
Glen Jones, M.S.

POWTS Product Reviewer

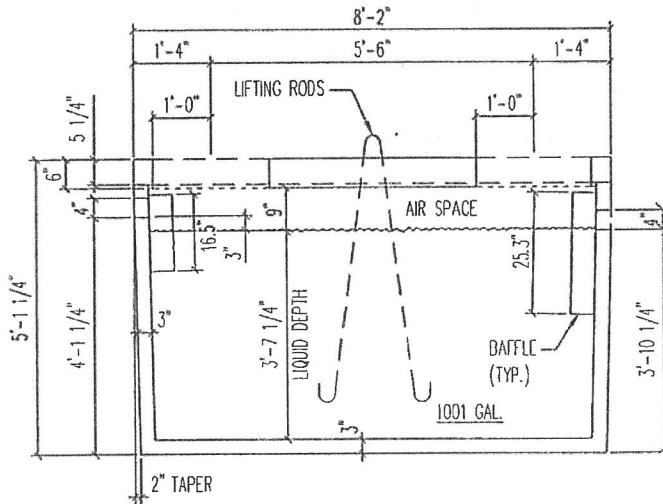
phone: (608) 267-5265

fax: (608) 267-9723

email: glen.jones@wi.gov



1000 GALLON TANK  
1/2" = 1'-0"



SECTION

1/2" = 1'-0"

NOTE:

1. PROVIDE MINIMUM 1" CLEAR BETWEEN TOP OF BAFFLE AND UNDERSIDE OF LID.
2. PUMP TANK (PT) HAS NO OUTLET BAFFLE.

Conditionally  
**APPROVED**

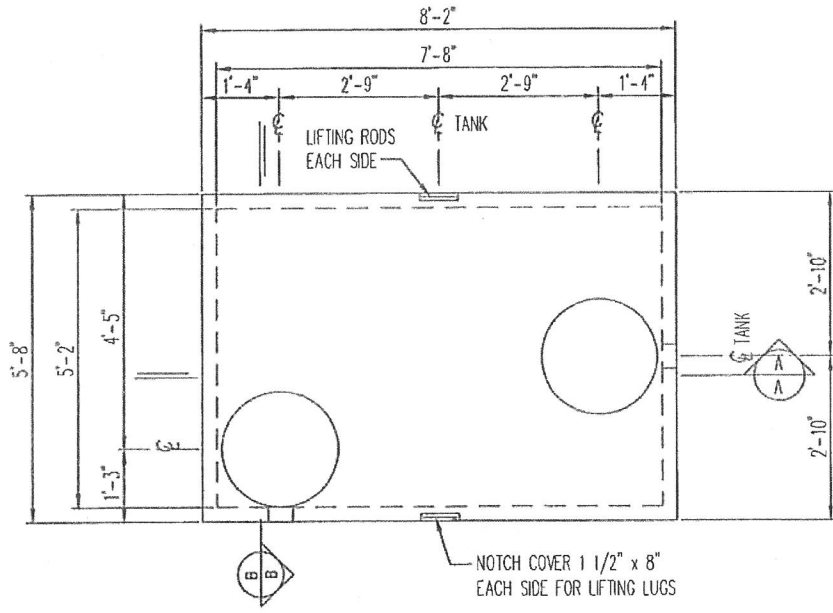
*De Jones*  
SEE CORRESPONDENCE

RECEIVED  
APR 16 2014  
SAFETY & BUILDING

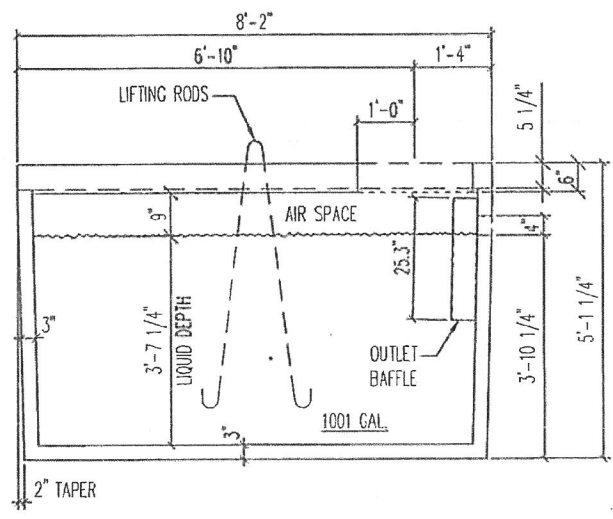
1000 GALLON SEPTIC OR PUMP TANK  
(1000 ST OR 1000 PT)

**Brow Wilbert**

WEIGHT=8650#  
MAX. SOIL COVER= 8'-0"



1000 GALLON TANK  
1/2" = 1'-0"



SECTION  
1/2" = 1'-0"

- NOTE:
1. PROVIDE MINIMUM 1" CLEAR BETWEEN TOP OF BAFFLE AND UNDERSIDE OF LID.
  2. PUMP TANK (PT) HAS NO OUTLET BAFFLE.

Conditionally  
APPROVED

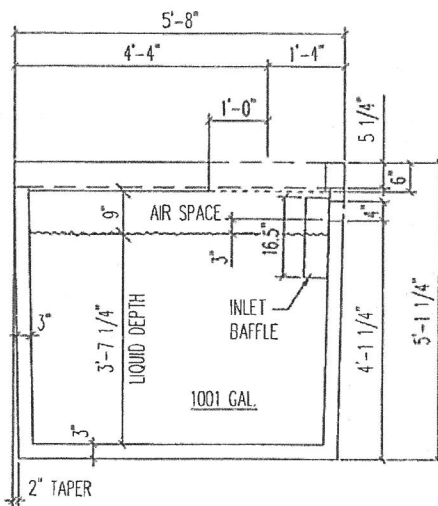
*[Signature]*  
SEE CORRESPONDENCE

APR 16 2014  
SAFETY & BUILDINGS

1000 GALLON SEPTIC OR PUMP TANK  
(1000 ST-R OR 1000 PT-R)



WEIGHT=8650#  
MAX. SOIL COVER= 7'-0"



**SECTION**  
 1/2" = 1'-0"

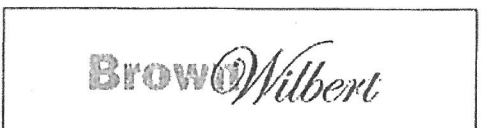
**Conditionally  
 APPROVED**

*De Jones*  
 SEE CORRESPONDENCE

- NOTE:**
1. PROVIDE MINIMUM 1" CLEAR BETWEEN TOP OF BAFFLE AND UNDERSIDE OF LID.
  2. PUMP TANK (PT) HAS NO OUTLET BAFFLE.

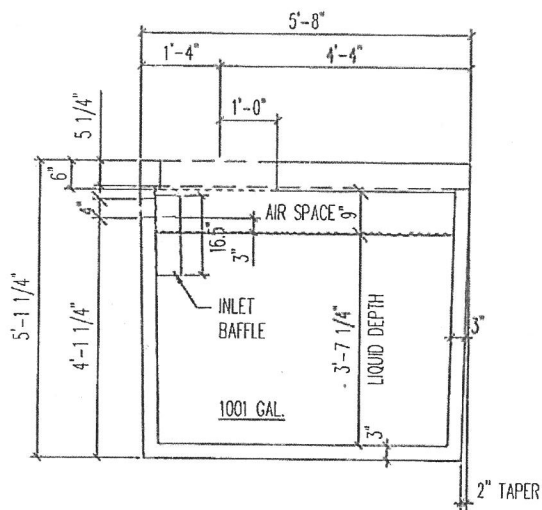
APR 16 2014  
 SAFETY & BUILDINGS

1000 GALLON SEPTIC OR PUMP TANK  
 (1000 ST-R OR 1000 PT-R)



WEIGHT=8650#  
 MAX. SOIL COVER= 7'-0"





**SECTION**  
 1/2" = 1'-0"

**Conditionally APPROVED**

*Ge Jones*  
 SEE CORRESPONDENCE

- NOTE:  
 1. PROVIDE MINIMUM 1" CLEAR BETWEEN TOP OF BAFFLE AND UNDERSIDE OF LID.  
 2. PUMP TANK (PT) HAS NO OUTLET BAFFLE.

RECEIVED

APR 16 2014

SAFETY & BUILDINGS

1000 GALLON SEPTIC TANK  
 (1000 ST-L OR 1000 PT-L)

**Brown Wilbert**

WEIGHT=8650#  
 MAX. SOIL COVER= 7'-0"