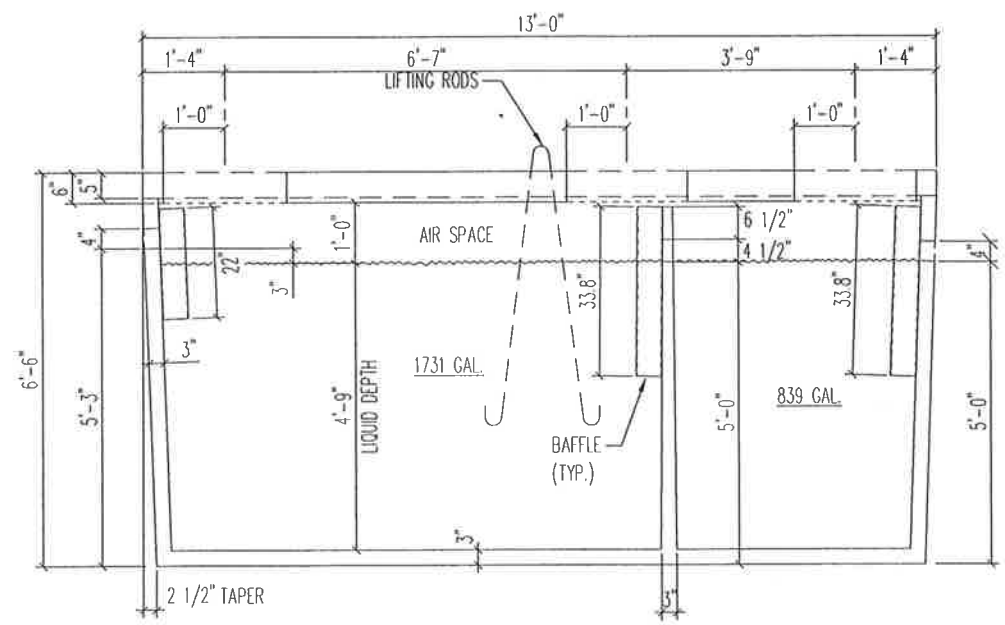


2500 GALLON 2 COMP. TANK
 1/2" = 1'-0"



SECTION
 1/2" = 1'-0"

NOTE:
 1. PROVIDE MINIMUM 1" CLEAR BETWEEN TOP OF BAFFLE AND UNDERSIDE OF LID.

2500 GALLON 2 COMP. SEPTIC TANK
 (2500 2C)



WEIGHT=19,500#
 MAX. SOIL COVER= 6'-0"
 TOTAL LIQUID VOLUME= 2570 GAL