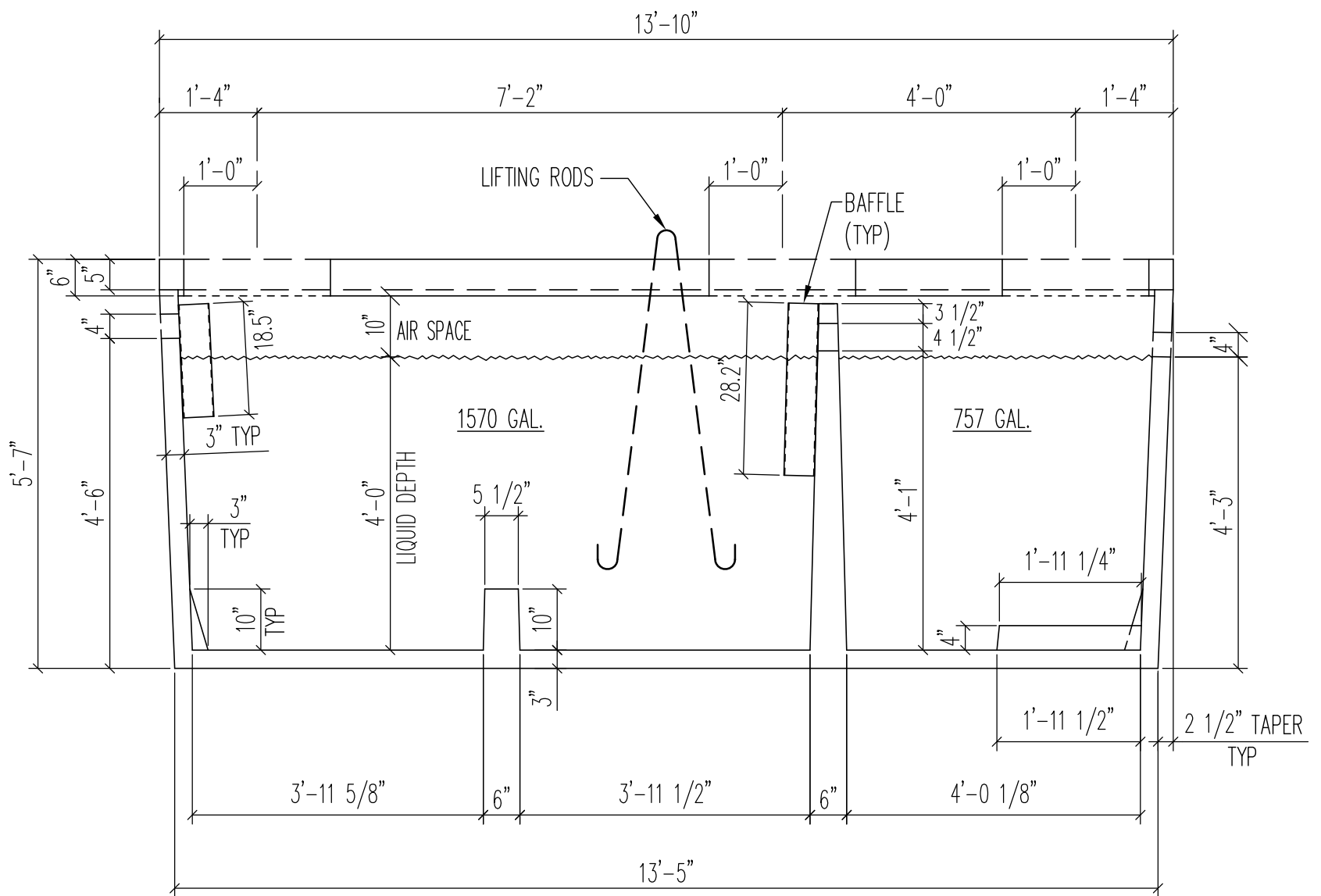


2250 GALLON 2 COMP. TANK
 1/2" = 1'-0"



SECTION A-A
 1/2" = 1'-0"

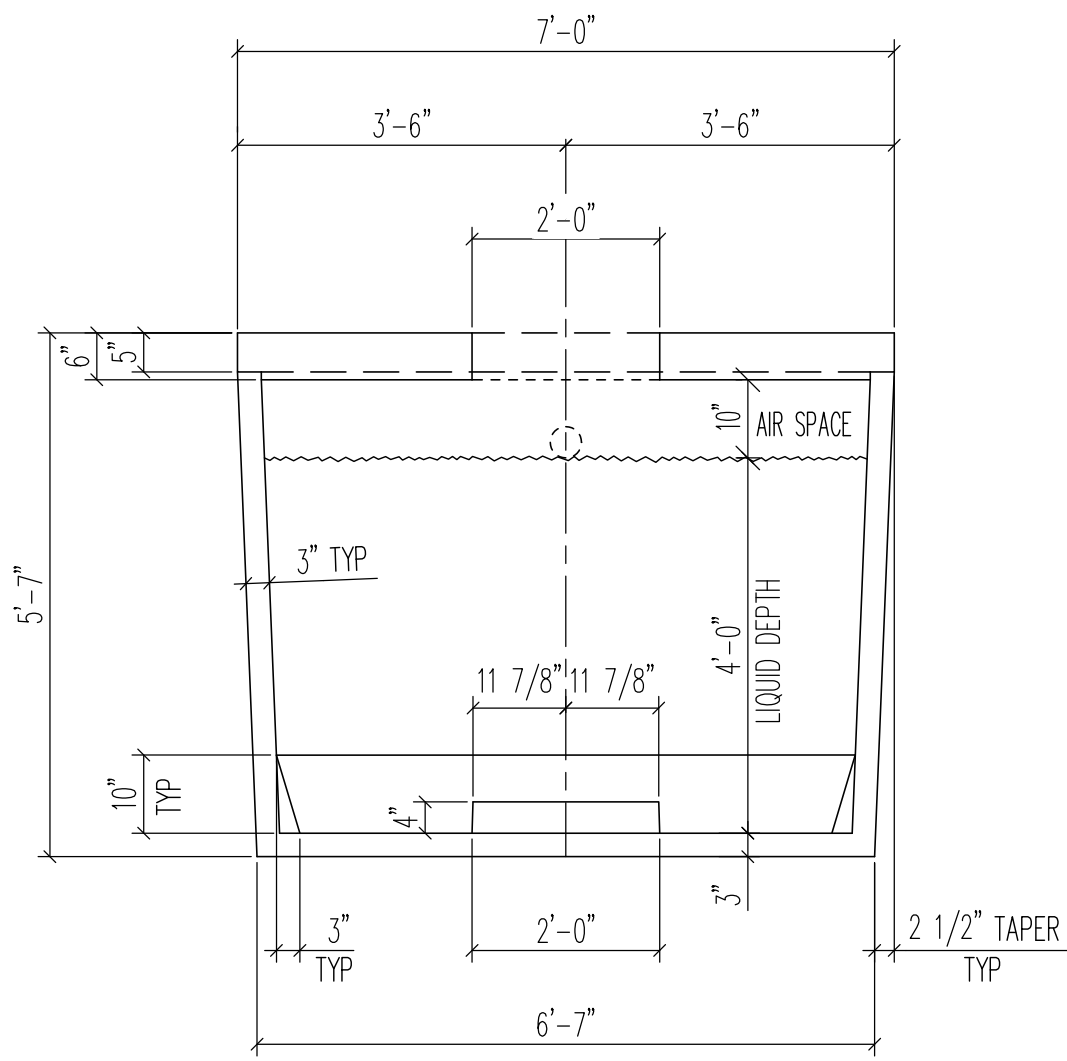
NOTE:

1. PROVIDE MINIMUM 1" CLEAR BETWEEN TOP OF BAFFLE AND UNDERSIDE OF LID.

2250 GALLON 2 COMP.
 SEPTIC TANK
 (2250 2C PT)

Brown Wilbert

WEIGHT= 20,380#
 MAX. SOIL COVER= 8'-0"
 TOTAL LIQUID VOLUME= 2327 GAL.



SECTION
 B
 B
 1/2" = 1'-0"

NOTE:
 1. PROVIDE MINIMUM 1" CLEAR BETWEEN TOP OF BAFFLE AND UNDERSIDE OF LID.

2250 GALLON 2 COMP.
 SEPTIC TANK
 (2250 2C PT)



WEIGHT= 20,380#
 MAX. SOIL COVER= 8'-0"
 TOTAL LIQUID VOLUME= 2327 GAL.