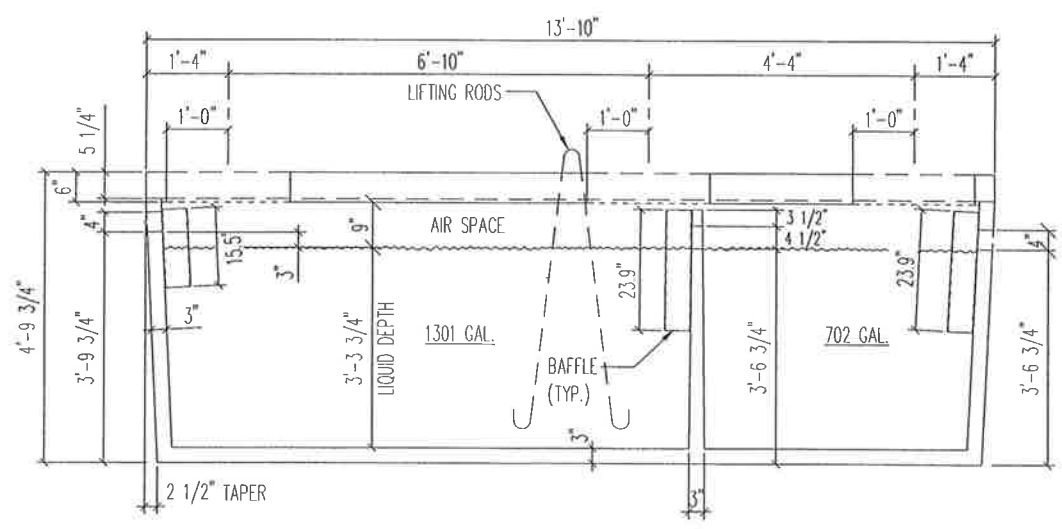


2000 GALLON 2 COMP. TANK
 $1/2" = 1'-0"$



SECTION A-A
 $1/2" = 1'-0"$

NOTE:
 1. PROVIDE MINIMUM 1" CLEAR BETWEEN TOP OF BAFFLE AND UNDERSIDE OF LID.

2000 GALLON 2 COMP. SEPTIC TANK
 (2000 2C)



WEIGHT=17,400#
 MAX. SOIL COVER= 7'-0"
 TOTAL LIQUID VOLUME= 2003 GAL.