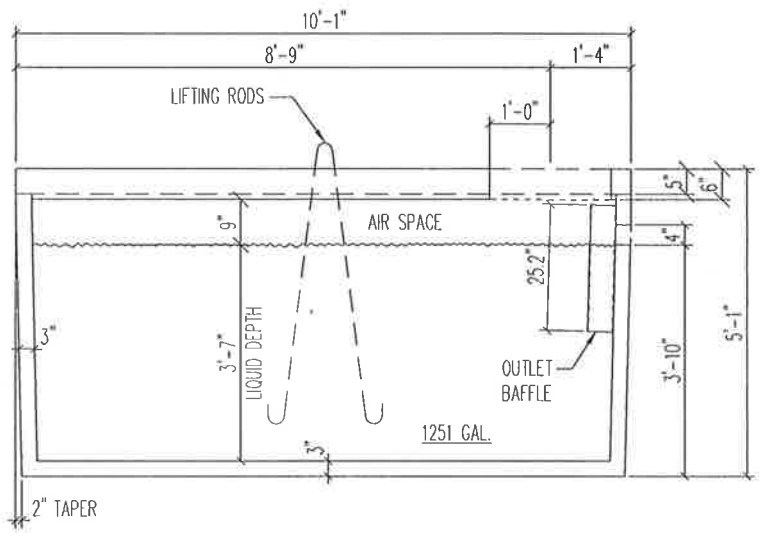


1250 GALLON TANK
 1/2" = 1'-0"



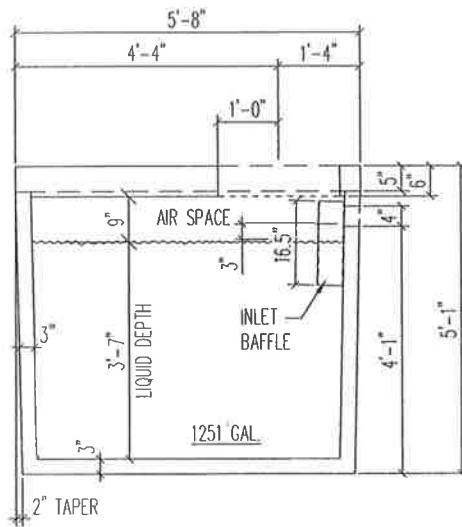
SECTION
 1/2" = 1'-0"

- NOTE:
1. PROVIDE MINIMUM 1" CLEAR BETWEEN TOP OF BAFFLE AND UNDERSIDE OF LID.
 2. PUMP TANK (PT) HAS NO OUTLET BAFFLE.

1250 GALLON SEPTIC OR PUMP TANK
 (1250 ST-R OR 1250 PT-R)



WEIGHT=10,800#
 MAX. SOIL COVER= 7'-0"



SECTION

1/2" = 1'-0"

NOTE:

1. PROVIDE MINIMUM 1" CLEAR BETWEEN TOP OF BAFFLE AND UNDERSIDE OF LID.
2. PUMP TANK (PT) HAS NO OUTLET BAFFLE.

1250 GALLON SEPTIC OR PUMP TANK
(1250 ST-R OR 1250 PT-R)

Brown Wilbert

WEIGHT=10,800#
MAX. SOIL COVER= 7'-0"