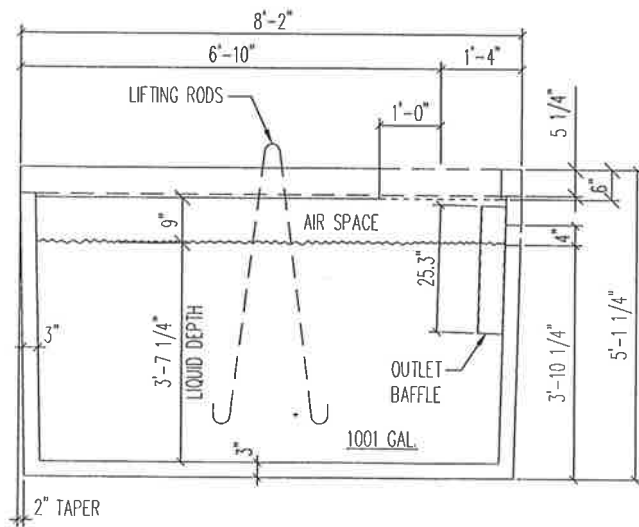


1000 GALLON TANK
 $1/2" = 1'-0"$



SECTION
 $1/2" = 1'-0"$

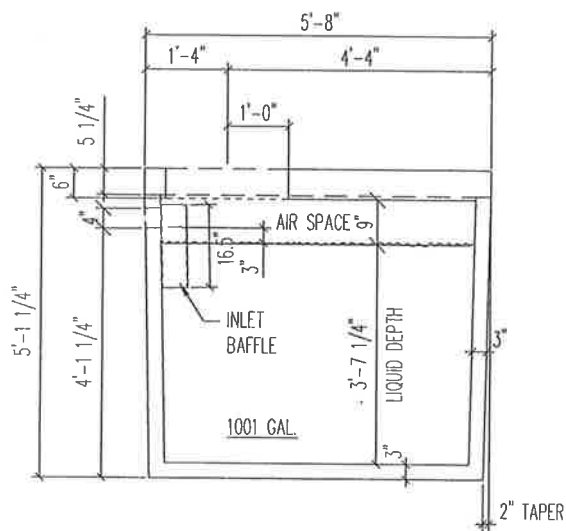
NOTE:

1. PROVIDE MINIMUM 1" CLEAR BETWEEN TOP OF BAFFLE AND UNDERSIDE OF LID.
2. PUMP TANK (PT) HAS NO OUTLET BAFFLE.

1000 GALLON SEPTIC OR PUMP TANK
 (1000 ST-L OR 1000 PT-L)

Brown Wilbert

WEIGHT=8650#
 MAX. SOIL COVER= 7'-0"



B
B
SECTION
1/2" = 1'-0"

NOTE:

1. PROVIDE MINIMUM 1" CLEAR BETWEEN TOP OF BAFFLE AND UNDERSIDE OF LID.
2. PUMP TANK (PT) HAS NO OUTLET BAFFLE.

1000 GALLON SEPTIC TANK
(1000 ST-L OR 1000 PT-L)

Brow Wilbert

WEIGHT=8650#
MAX. SOIL COVER= 7'-0"