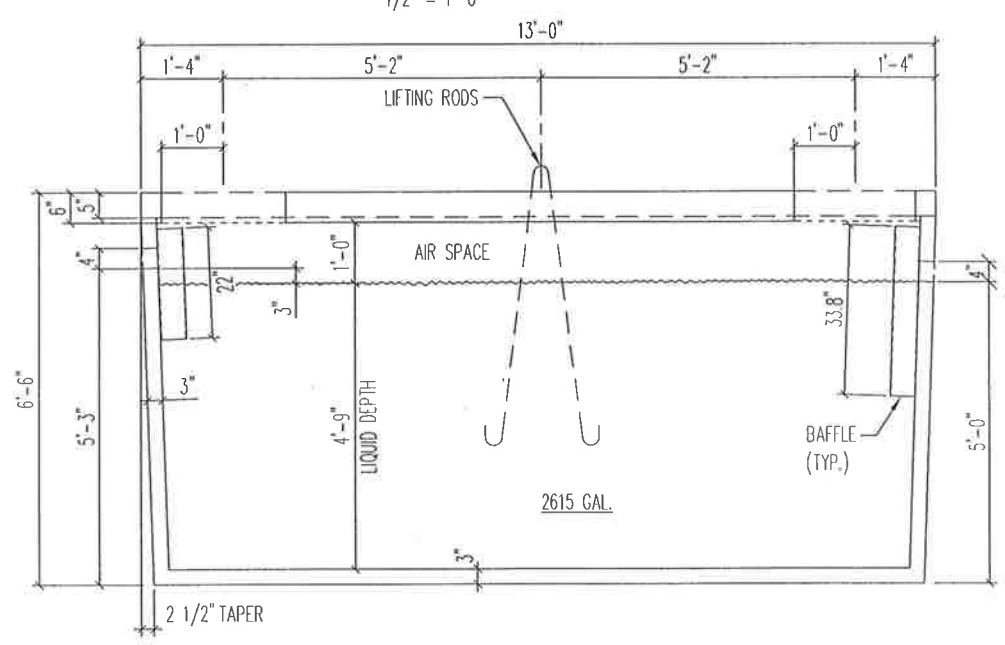


2500 GALLON TANK
 1/2" = 1'-0"



SECTION
 1/2" = 1'-0"

NOTE:
 1. PROVIDE MINIMUM 1" CLEAR BETWEEN TOP OF BAFFLE AND UNDERSIDE OF LID.

2500 GALLON SEPTIC TANK
 (2500 ST)



WEIGHT=18,800#
 MAX. SOIL COVER= 4'-0"