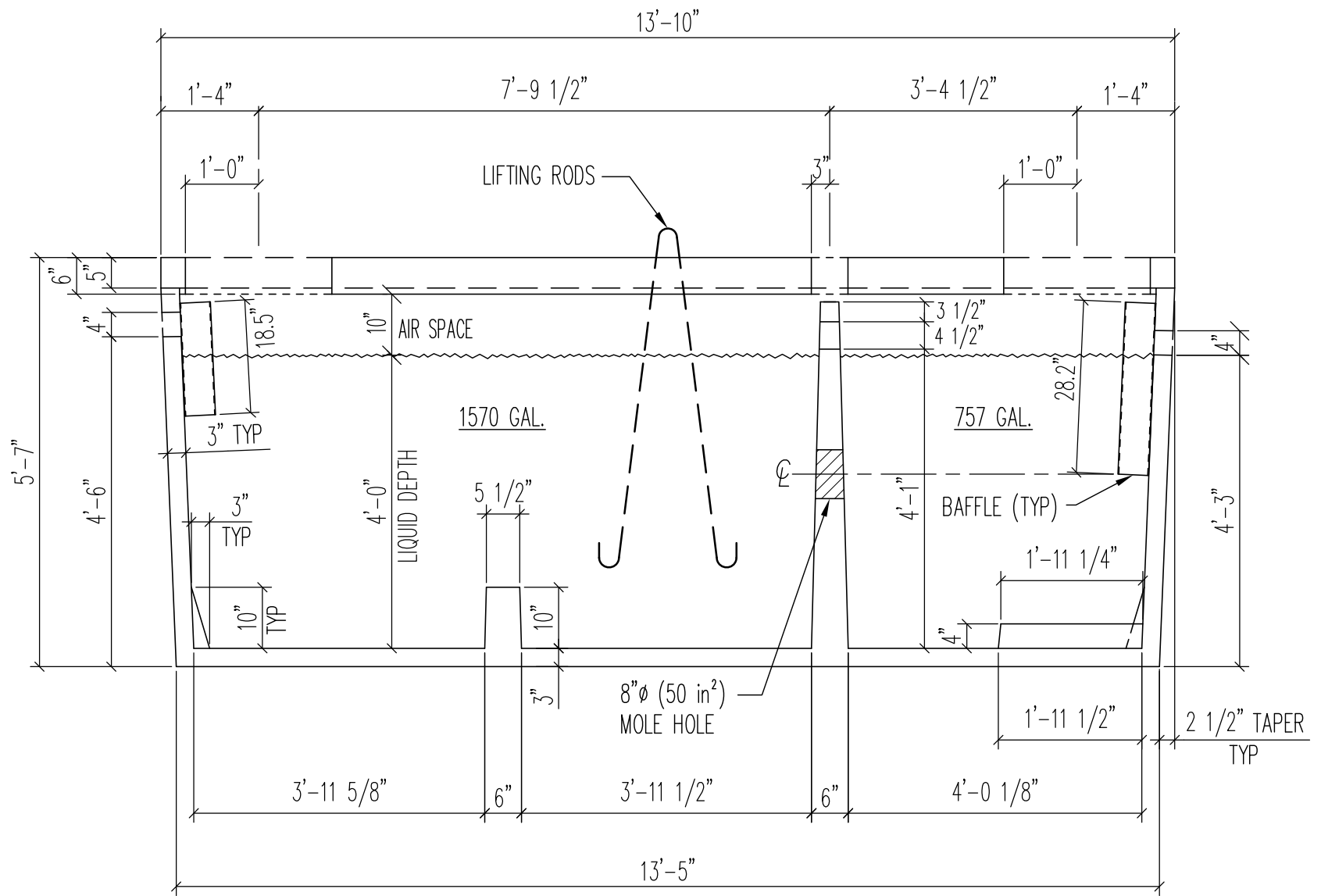


2250 GALLON 2 COMP. TANK
 1/2" = 1'-0"



SECTION A-A
 1/2" = 1'-0"

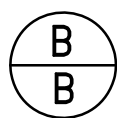
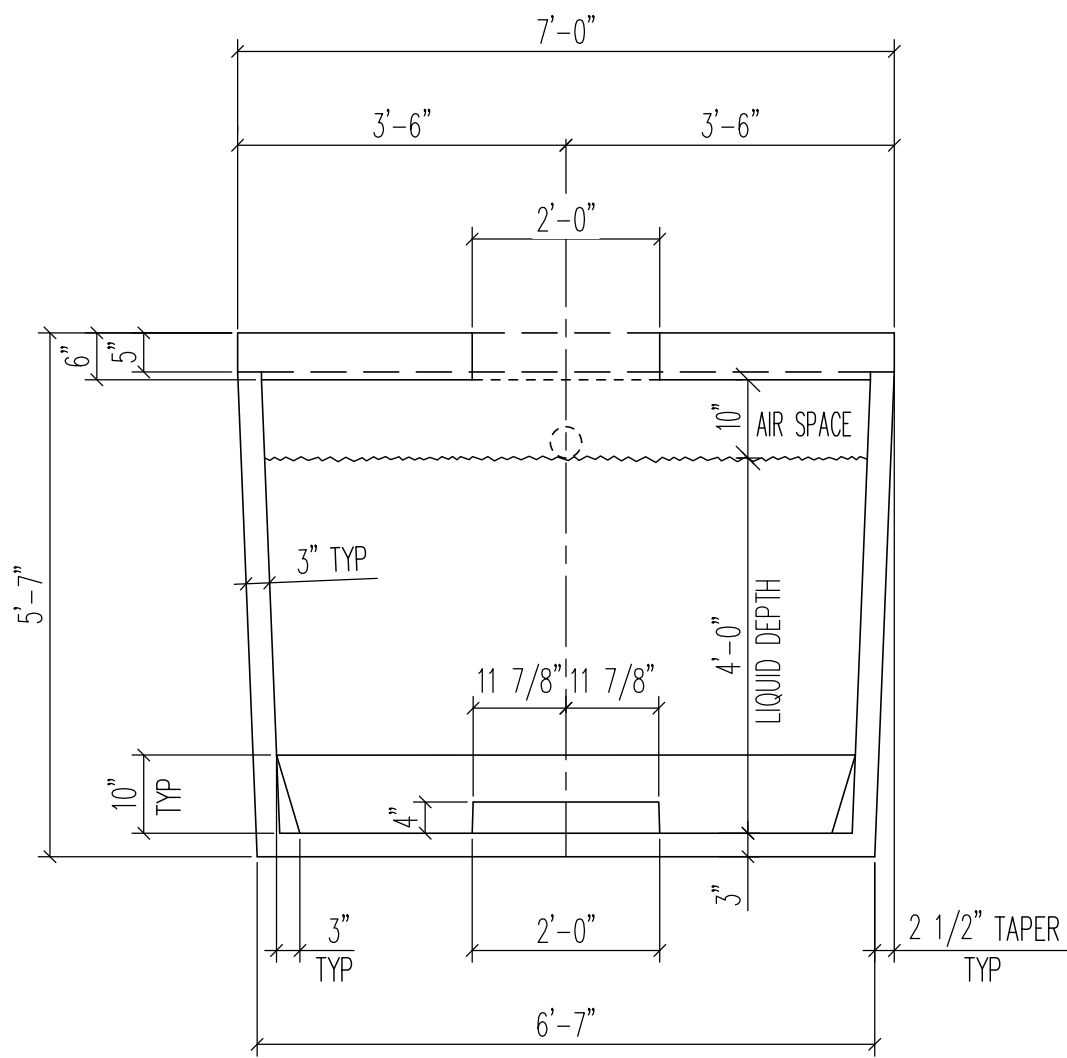
NOTE:

1. PROVIDE MINIMUM 1" CLEAR BETWEEN TOP OF BAFFLE AND UNDERSIDE OF LID.
2. MOLE HOLE IS CENTERED ON WIDTH OF TANK

2250 GALLON 2 COMP. SEPTIC TANK w/
 MOLE HOLE/TRANSFER HOLE
 (2250 2C-MH)

Brown Wilbert

WEIGHT= 20,380#
 MAX. SOIL COVER= 8'-0"
 TOTAL LIQUID VOLUME= 2327 GAL.



SECTION

1/2" = 1'-0"

2250 GALLON 2 COMP. SEPTIC TANK w/
MOLE HOLE/TRANSFER HOLE
(2250 2C-MH)

Brown *Wilbert*

WEIGHT= 20,380#
MAX. SOIL COVER= 8'-0"
TOTAL LIQUID VOLUME= 2327 GAL.