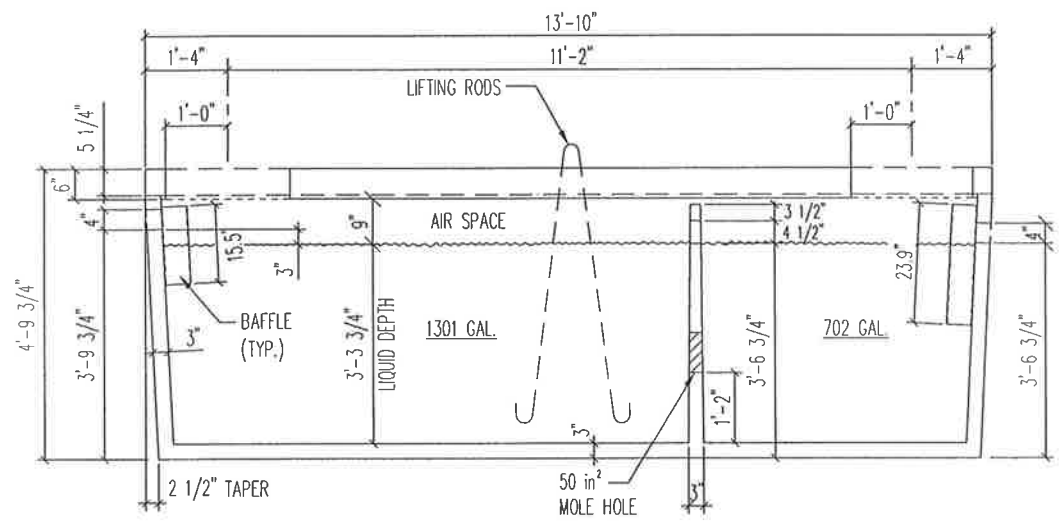


2000 GALLON TANK w/MOLE HOLE
 $1/2" = 1'-0"$



SECTION
 $1/2" = 1'-0"$

- NOTE:**
1. PROVIDE MINIMUM 1" CLEAR BETWEEN TOP OF BAFFLE AND UNDERSIDE OF LID.
 2. MOLE HOLE IS CENTERED IN WIDTH OF TANK.

2000 GALLON SEPTIC TANK w/
 MOLE HOLE/TRANSFER HOLE
 (2000 ST-MH)



WEIGHT=17,400#
 MAX. SOIL COVER= 7'-0"
 TOTAL LIQUID VOLUME= 2003 GAL.