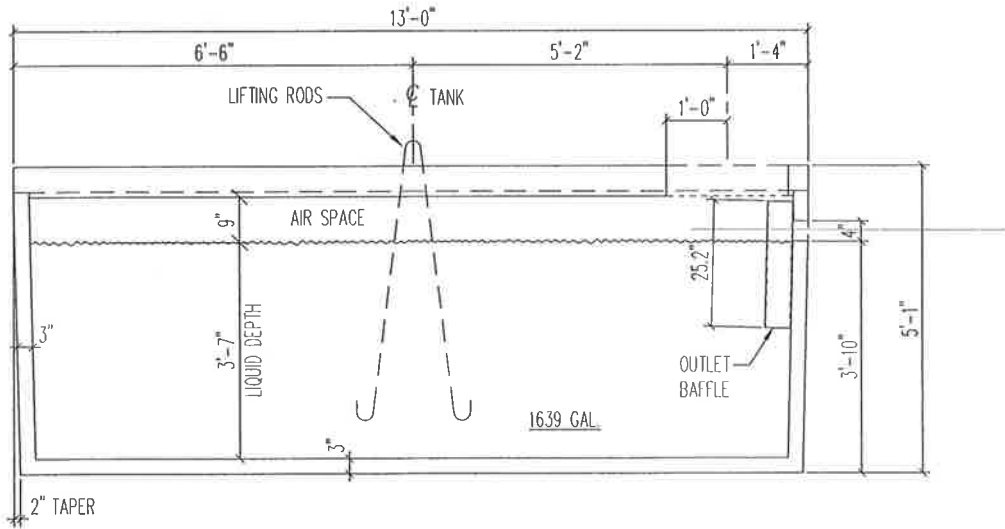


1600 GALLON TANK
 1/2" = 1'-0"



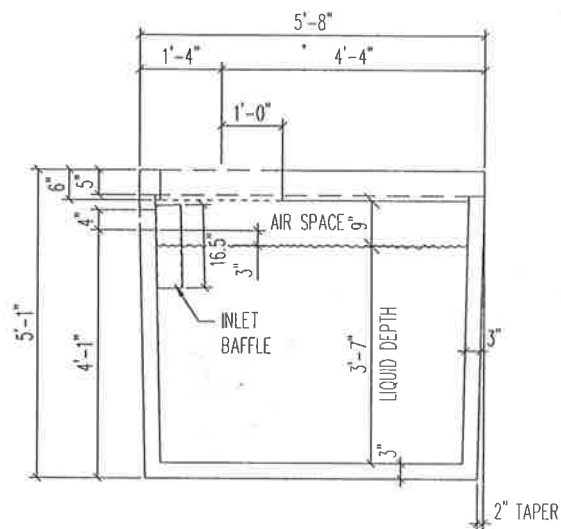
SECTION
 1/2" = 1'-0"

- NOTE:**
1. PROVIDE MINIMUM 1" CLEAR BETWEEN TOP OF BAFFLE AND UNDERSIDE OF LID.
 2. PUMP TANK (PT) HAS NO OUTLET BAFFLE.

1600 GALLON SEPTIC OR PUMP TANK
 (1600 ST-L OR 1600 PT-L)



WEIGHT=14,000#
 MAX. SOIL COVER= 7'-0"



B
B
SECTION
 $\frac{1}{2}'' = 1'-0''$

NOTE:

1. PROVIDE MINIMUM 1" CLEAR BETWEEN TOP OF BAFFLE AND UNDERSIDE OF LID.
2. PUMP TANK (PT) HAS NO OUTLET BAFFLE.

1600 GALLON SEPTIC OR PUMP TANK
(1600 ST-L OR 1600 PT-L)

Brown Wilbert

WEIGHT=14,000#
MAX. SOIL COVER= 7'-0"