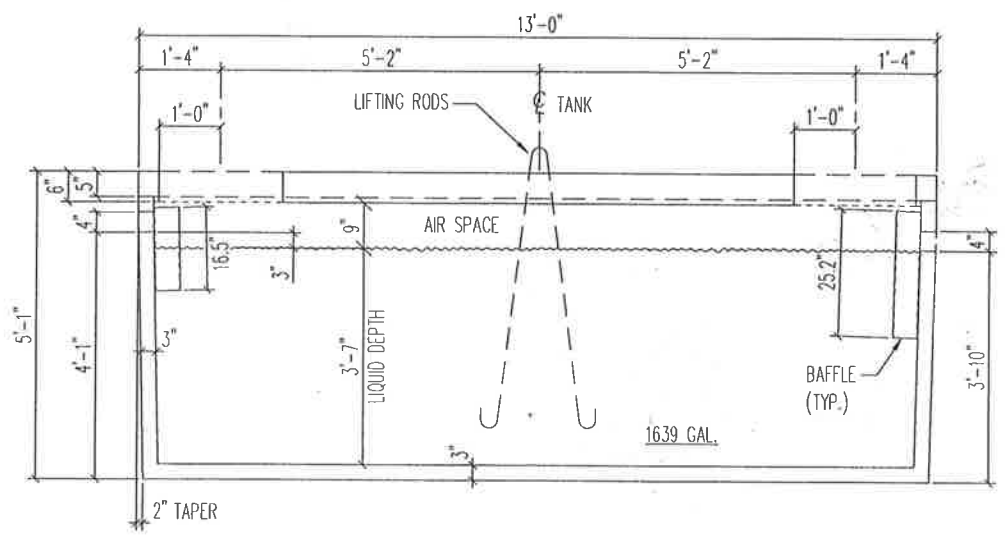


**1600 GALLON TANK**  
 1/2" = 1'-0"



**SECTION A-A**  
 1/2" = 1'-0"

- NOTE:**
1. PROVIDE MINIMUM 1" CLEAR BETWEEN TOP OF BAFFLE AND UNDERSIDE OF LID.
  2. PUMP TANK (PT) HAS NO OUTLET BAFFLE.

1600 GALLON SEPTIC OR PUMP TANK  
 (1600 ST OR 1600 PT)



WEIGHT=14,000#  
 MAX. SOIL COVER= 7'-0"