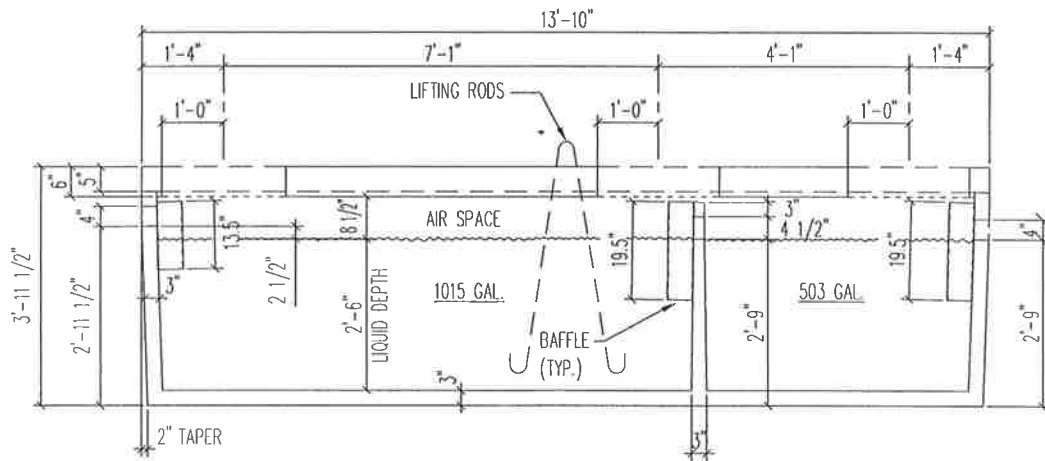


**1500 GALLON 2 COMP. LOW PROFILE TANK**  
 1/2" = 1'-0"



**SECTION**  
 1/2" = 1'-0"

**NOTE:**  
 1. PROVIDE MINIMUM 1" CLEAR BETWEEN TOP OF BAFFLE AND UNDERSIDE OF LID.

1500 GALLON 2 COMP.  
 LOW PROFILE SEPTIC TANK  
 (1500 LP 2C)



WEIGHT=14,900#  
 MAX. SOIL COVER= 7'-0"  
 TOTAL LIQUID VOLUME= 1518 GAL.