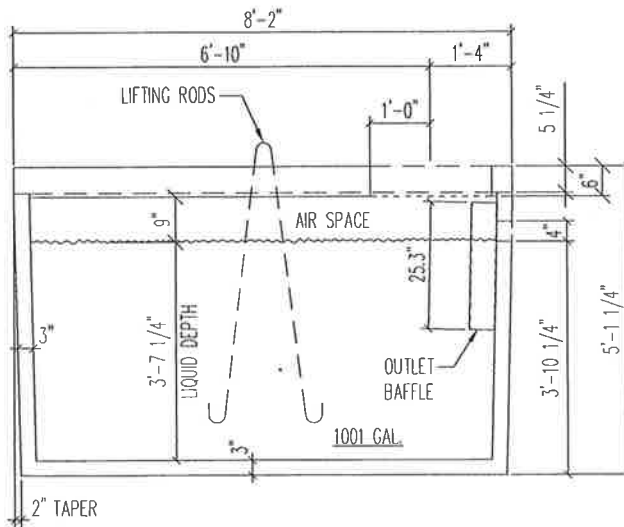


1000 GALLON TANK  
 $1/2" = 1'-0"$



SECTION  
 $1/2" = 1'-0"$

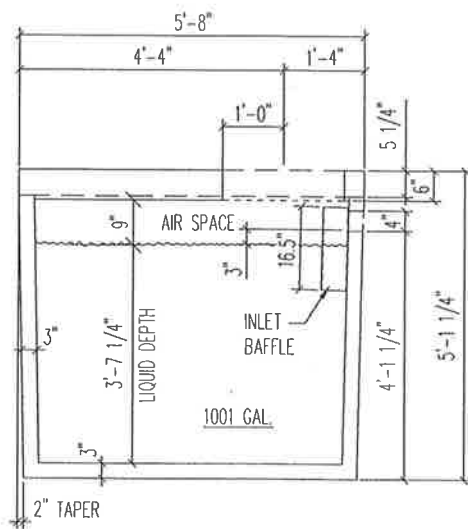
NOTE:

1. PROVIDE MINIMUM 1" CLEAR BETWEEN TOP OF BAFFLE AND UNDERSIDE OF LID.
2. PUMP TANK (PT) HAS NO OUTLET BAFFLE.

1000 GALLON SEPTIC OR PUMP TANK  
 (1000 ST-R OR 1000 PT-R)

**Brown** Wilbert

WEIGHT=8650#  
 MAX. SOIL COVER= 7'-0"



**SECTION**

1/2" = 1'-0"

NOTE:

1. PROVIDE MINIMUM 1" CLEAR BETWEEN TOP OF BAFFLE AND UNDERSIDE OF LID.
2. PUMP TANK (PT) HAS NO OUTLET BAFFLE.

1000 GALLON SEPTIC OR PUMP TANK  
(1000 ST-R OR 1000 PT-R)

**Brown** *Wilbert*

WEIGHT=8650#  
MAX. SOIL COVER= 7'-0"